

The no brainer.

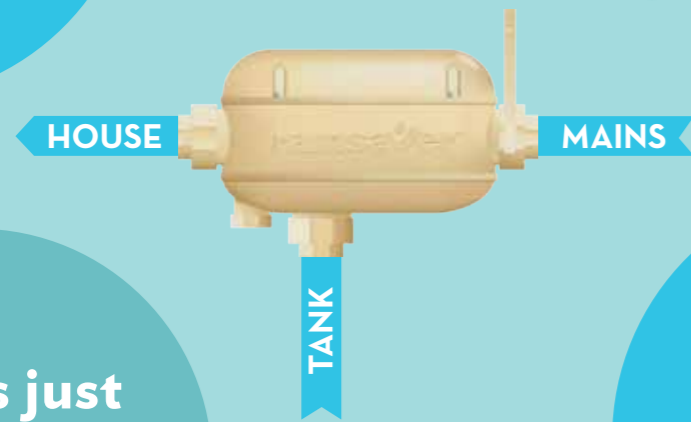
Won't break the bank.

You can drive over it and it'll still work.

No electrical parts to break down.

No electronic components, no extra powerpoints or cables needed.

Peace-of-mind 2-year infield warranty includes onsite maintenance.



It goes just as well underground.

Connects directly to the pump or from a distance.

It's a no brainer to install.

YOU MAY BE ELIGIBLE FOR GOVERNMENT REBATES OF UP TO **\$1500** visit biancorainsaver.com.au for more details.

The Bianco Rainsaver is a ripper of a device that switches between tank water and your mains. It's simple to install at a price that won't break the bank.

Pumps suitable to use with Rainsaver Switch.

External pumps.



Submersible pumps.



Pump Type	Model / Part No	Body Material	Taps	Nominal Pressure	Flow Rate	Warranty
External	RS3-INOX60PCA	Stainless Steel	4	320 kPa	36 lpm	2 year
	RS3-MULTI900PCA	Stainless Steel	11	352 kPa	80 lpm	2 year
	RS3-JETCOM82MAPCX	Technopolymer	6	460 kPa	60 lpm	2 year
	RS3-JINOX82MAPCX	Stainless Steel	6	460 kPa	60 lpm	2 year
	RS3-EUROINOX30/50MAPCX	Stainless Steel	8	413 kPa	80 lpm	2 year
	RS3-EUROINOX40/80MAPCX	Stainless Steel	12	577 kPa	120 lpm	2 year
Submersible	RS3-JH8003PMPCX	Stainless Steel	8	249 kPa	83 lpm	2 year
	RS3-DIVER75MAPCX	Stainless Steel	8	343 kPa	80 lpm	2 year
	RS3-DIVERTRON1200	Technopolymer	9	450 kPa	95 lpm	2 year

Note: (DAB Pressure Systems) Taps show above have been calculated at 10 litres per minute. (Bianco Pressure Systems) Taps show above have been calculated at 8 litres per minute.

Watermark approved only applies to the Bianco Rainsaver MKIII control. Note: Pumps and controls are not to be sold separately.



A.B.N. 48 000 119 380
 52-60 Ashford Ave, Milperra, NSW 2214 Ph 02 9783 6000 Fax 02 9783 6001
 Customer service hotline 1300 783 601 Customer service faxline 02 9783 6003
 Sales enquiries: sales@whiteint.com.au General enquiries: info@whiteint.com.au
www.biancorainsaver.com.au

Available from:



This thing will save water, money and most importantly time.

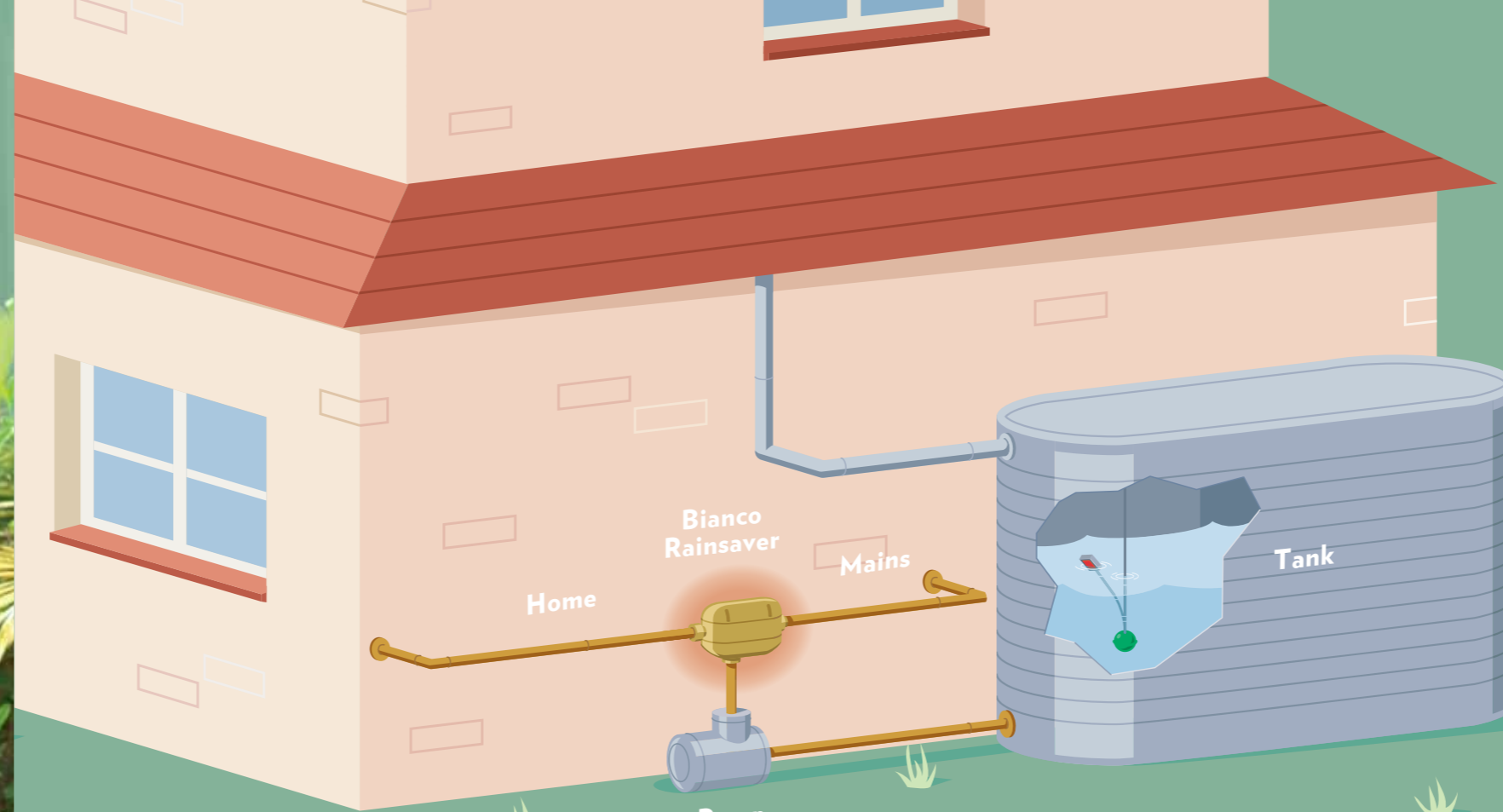
I bloody love rain, why would you waste it?

Since only 1% of all the water in the entire world is fresh, we can't afford to waste a single drop. Fortunately, with a trusty tank and a rainwater harvesting control system, you can make the most of free rainwater everyday.

The Bianco Rainsaver is a nifty device that automatically switches between tank water and the mains supply. Not only does it help conserve water but it helps conserve energy too because it's easy to install. Plus, there are no electrical parts to break down. Now that's a no brainer.

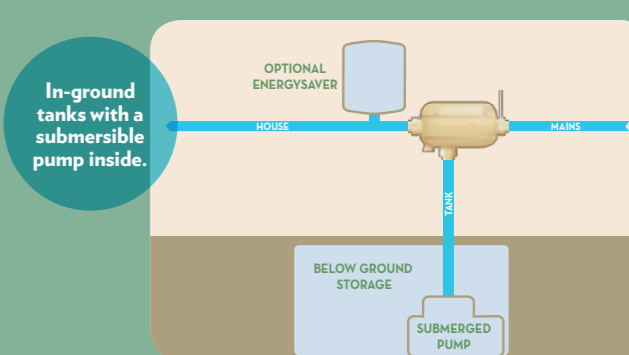
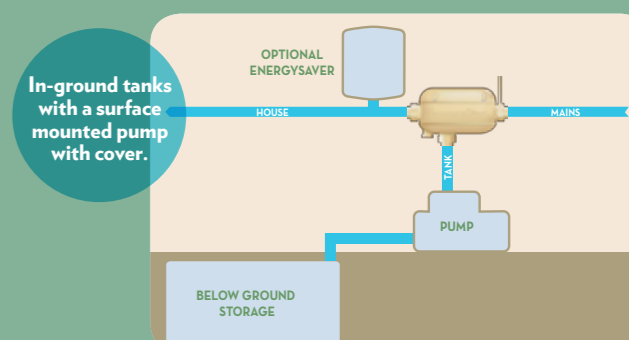
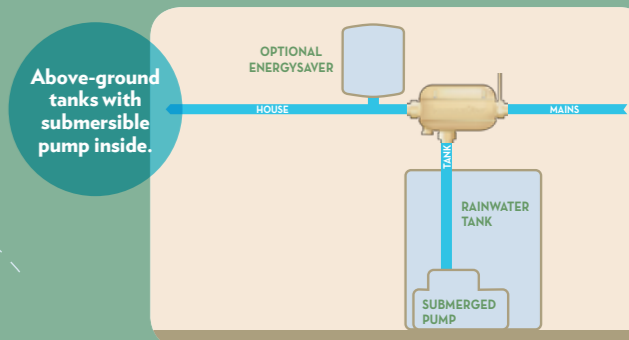
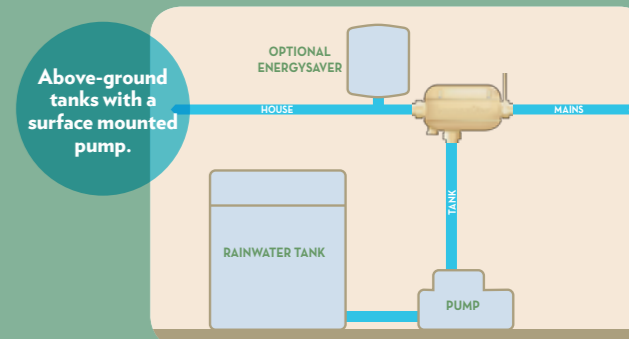
Rainsaver Switch features

- Designed to operate with pumps up to 800kpa (116psi).
- 100 litres per minute flow.
- Barrel unions and 'Torque Set' safety spanner are included for installation. It's impossible to over tighten.
- Peace-of-mind 2-year warranty includes in home maintenance.
- Watermark approved for connections to all Town Water supplies. Safe against waterborne bacteria, dezincification and lead poisoning.
- Auxiliary outlet allows for optional 'energy saver' water storage – pressure vessels to reduce pump starts.
- Revolutionary 'Mono Channel' design does not restrict flow or reduce pressures, eliminates any possibility of water leaks.
- Easy to clean, pump and town water inlet strainers are included to prevent blockages in dishwashers, washing machines, sprinklers etc.
- Australian owned and designed.



Typical Installation

No matter what kind of tank you have, the Rainsaver can be mounted any distance from the pump. Plus, it even works underground. These diagrams will give you a good idea of where to place it.



Note: Refer to instruction manual for details.