

Rain Filters *Sediment Filtration System*

5" Filter Cartridge – Maintenance and Replacement Instructions (Model: WFRW06)

THIS CARTRIDGE IS FOR USE IN THE FILTRATION OF RAINWATER WHEN THE RAINWATER TANK SUPPLIES WATER PURELY FOR OUTSIDE USES, SUCH AS IRRIGATION SYSTEMS, HIGH-PRESSURE CLEANING DEVICES, CAR WASHING, POOL OR POND TOP-UPS, ETC. IDEAL FOR PROTECTION OF IRRIGATION AND VALVE EQUIPMENT USING RAINWATER.

Cartridge replacement notes:

1. Please ensure that the water supply and power to the pump and any diversion switch are turned off before changing the filter cartridge.
2. Release any pressure build up within the housing by using a screwdriver to activate the pressure relief valve on top of the filter housing.
3. Using the plastic tightening wrench place the wrench under the white bowl and raise until it is secure around the green collar/nut.
4. Unscrew the collar with the wrench in a clockwise direction.
5. When dismantled remove the used filter cartridge and clean the white bowl. Be careful not to damage the black o-ring.
6. Unwrap the new cartridge and insert in the white bowl.
7. Ensure that the o-ring is sitting cleanly on the o-ring seat on top of the white bowl.
8. Place the bowl with cartridge under the filter head assembly.
9. Raise collar and fasten onto filter head assembly.
10. Tighten system using the wrench.
11. Turn water back on and check for any leaks in the system and rectify/seal if required.

NOTE: The life of the filter cartridge is determined by three factors - water pressure*, water quality and usage. Residual sediments and other matter will eventually build up in the filter cartridge causing water pressure drops. Because the *Sediment System* filter cartridges are washable and re-usable, cleaning may extend filter life beyond a typical 6 to 12 months.

* Care must be taken to ensure the pump is specified to provide adequate water pressure/flow rates.

Improving the Performance of your Rainwater Harvesting System

'Pre-treatment devices' are required by many authorities and must be included as part of all rainwater harvesting systems. A fire proof **gutter mesh** system should be installed to keep leaves, debris and vermin out of gutters.

Pre-treatment devices such as **Leaf Eater®** or **Leaf Beater® screened rain heads** should be installed at each downpipe that supplies rainwater to the tank. These devices improve the hydraulic performance of downpipes by deflecting leaves and debris away from the flow of water. Gutter mesh and rain heads prevent gutters blocking and eaves flooding and in doing so, reduce fire risk by keeping flammable material out of the gutter.

It is also critical to install **First Flush Water Diverters** to prevent the first, most contaminated rainfall from polluting tank water. First Flush Diverters can be installed at each downpipe that supplies water to the tank, or larger units, that can handle multiple inlet pipes, can be installed nearby the tank.

Not only do pre-treatment devices improve water quality, protect pumps and household appliances, and reduce tank maintenance, they also extend the life of Rain Filters cartridges.

Please visit www.rainharvesting.com.au for further information.

We can remind you when your filters need replacing. To take advantage of this service please complete the warranty card and send to us or visit our website

www.rainharvesting.com.au

to register your Rain Filter System online, or alternatively call our National **Replacement Filter Service Centre*** on **1300 785 355**.



* Replacement Filters Program is administered by Water Filters Australia Pty Ltd

cartridge maintenance and replacement

Rain Filters *Sediment Filtration System*

5" Filter Cartridge – Specifications (Model: WFRW06)

FOR USE IN THE FILTRATION OF RAINWATER WHEN THE RAINWATER TANK SUPPLIES WATER PURELY FOR OUTSIDE USES, SUCH AS IRRIGATION SYSTEMS, HIGH-PRESSURE CLEANING DEVICES, CAR WASHING, POOL OR POND TOP-UPS, ETC. IDEAL FOR PROTECTION OF IRRIGATION AND VALVE EQUIPMENT USING RAINWATER.

Rain Filters *Sediment Filtration* cartridges are manufactured from a durable, non-woven and re-usable polyester fabric that is suitable for a wide range of uses. The media is pleated around the core for added strength and the ends are immersed in a thermo-setting vinyl plastisol. Embedding and sealing each end of the pleat in this fashion fuses the three components together forming a unitized end cap and gasket. The overlap seam is sonically welded to reduce internal bypass and this improves filtration efficiency.

The cartridges have more than 4 square feet of surface area, maximising dirt holding capacity and extending time between cartridge changes and cleaning.

The cartridges are resistant to both bacteria and chemical attack making them ideal for use with rainwater.

FEATURES:

1. Polyester media is bacteria and chemical resistant
2. 80 micron filtration rating
3. Temperature rating at minimum 4.4^o C to 51.7^o C.

SPECIFICATIONS:

MODEL: WFRW06

FLOW RATE: Suitable for flow rates up to 30 litres per minute

DIMENSIONS: 64mm diameter x 127mm height (cartridge)

CONSTRUCTION DETAILS:

1. Filter media: Non-woven polyester
2. End Caps: Vinyl Plastisol
3. Core: Polypropylene

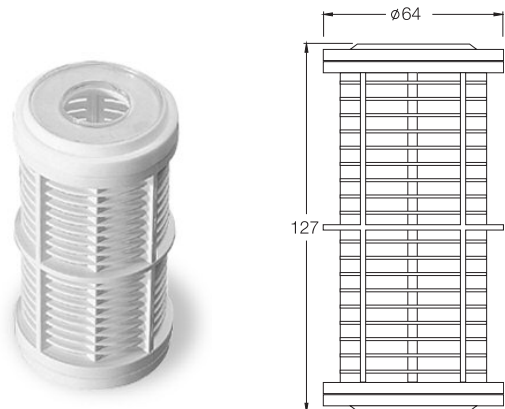
SERVICE:

The life of the filter cartridge is determined by three factors - water pressure, water quality and usage.

The *Sediment System* filter cartridges are washable and re-usable, so cleaning may extend filter life beyond a typical 6 to 12 months.

Please read "Cartridge Replacement" instructions for tips on how to improve rainwater quality and extend filter life.

For replacement cartridges please call **1300 785 355**



filter cartridge specifications

Rain Filters *Sediment Filtration System*

5" Filter Housing – Specifications (Model: WFRW05)

FOR USE IN THE FILTRATION OF RAINWATER WHEN THE RAINWATER TANK SUPPLIES WATER PURELY FOR OUTSIDE USES, SUCH AS IRRIGATION SYSTEMS, HIGH-PRESSURE CLEANING DEVICES, CAR WASHING, POOL OR POND TOP-UPS, ETC. IDEAL FOR PROTECTION OF IRRIGATION AND VALVE EQUIPMENT USING RAINWATER.

NEW UNIQUE DESIGN: Three piece housing for greater protection.

- Heavy duty opaque housing.
- Brass pressure relief valve on top for easy opening of the filter housing.
- Completely corrosion resistant.
- 3 piece housing prolongs the life span of the o-ring.
- Top seated o-ring gasket.
- 1" F BSP brass inserts for trouble free installation.
- Supplied with 1" M BSP hex nipples for inlet/outlet.
- Complete with a tightening wrench.
- UV stabilised housing.

SPECIFICATIONS:

Head & Nut/Collar Construction:	Filled Polypropylene with brass relief valve
Bowl Construction:	Styrene Acrylonitrile (SAN) Plastic
O-ring:	Nitrile Rubber (NBR)
Max. Operating Temperature:	50°C
Max. Operating Pressure:	125 psi
Inlet/Outlet Connections:	1" F BSP brass.

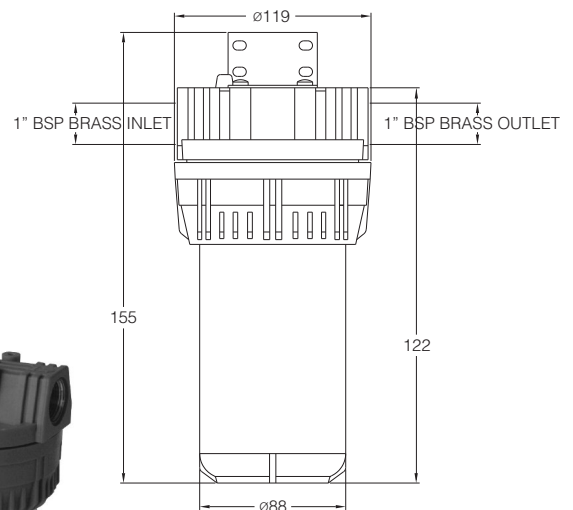
IMPORTANT NOTE:

If the filter housing is installed outside, a suitable sunlight protective cover must be installed to prolong the life of the housing and filter cartridge, or alternatively it should be installed in a sheltered position.

WARRANTY:

This product supplied by Rain Harvesting Pty Ltd is under warranty for a period of one year from the date of purchase. The terms of warranty require that:

- The product be used in accordance with the instructions supplied.
- Installation and maintenance be carried out in accordance with instructions provided.
- Warranty be limited to replacement of the faulty part only, to the exclusion of any other claim by the customer for direct or indirect damages caused by the faulty part.
- Goods under warranty will only be replaced upon submission/receipt of the faulty part and verification by Rain Harvesting Pty Ltd of the defect.
- The customer will pay all labour and transport expenses necessary for replacement of the part covered by the warranty.



filter housing specifications

Rain Filters *Sediment Filtration System*

5" Filter Housing – Installation Instructions

Model: Housing (WFRW05) and Cartridge (WFRW06)

THIS SYSTEM IS FOR USE IN THE FILTRATION OF RAINWATER WHEN THE RAINWATER TANK SUPPLIES WATER PURELY FOR OUTSIDE USES, SUCH AS IRRIGATION SYSTEMS, HIGH-PRESSURE CLEANING DEVICES, CAR WASHING, POOL OR POND TOP-UPS, ETC. IDEAL FOR PROTECTION OF IRRIGATION AND VALVE EQUIPMENT USING RAINWATER. THE FOLLOWING PARTS ARE SUPPLIED:

- 3 piece heavy duty opaque housing with brass pressure relief valve.
- 1" F BSP brass inserts for trouble free installation.
- 2 x 1" M BSP hex nipples for inlet/outlet.
- 5" filter cartridge (model: WFRW06)
- Tightening wrench.

INSTALLATION NOTES:

1. If the filter housing is to be installed outside, a suitable sunlight protective cover must be installed to prolong the life of the housing and filter cartridge, or alternatively it should be installed in a sheltered position.
2. The filter housing can either be installed before the pump OR after the pump and any mains/ rainwater diversion device. Fit the housing directly to the pump inlet or outlet point using the brass hex nipples.
3. When selecting the installation location ensure that you allow enough room below the system to enable the system to be dismantled and the filter cartridge replaced.
4. The filter system can be installed vertically or horizontally.
5. Use plumbing tape when securing the male 1" hex

nipples into the inlet and outlet of the filter head assembly.

6. Ensure that the plastic wrapping is removed from the filter cartridge before inserting the cartridge into the filter housing.
7. The 3 piece filter housing has been specifically designed to protect the housing o-ring. Following insertion of the filter cartridge into the white bowl, place the head assembly on top of the o-ring. Take the round plastic collar and place the white bowl into the collar. By raising the collar it can be screwed onto the head assembly sealing the system.
8. A tightening wrench is supplied, but be careful not to over tighten, as this may damage the wrench and housing unit.
9. It is advisable to use union joints when connecting the filter housing to the rainwater supply as this will assist with any future servicing issues.

