



Creative rainwater storage solutions
you can count on.

Waterplex® Volume Filter for “Whole of Roof” Filtration



The Volume Filter is a centralised filtration solution for whole of roof filtration for areas of up to 500m². The Volume Filter can be located under floor and in a central location close to the **Waterplex®** installation.

The Volume Filter is an ideal solution for primary filtration because:

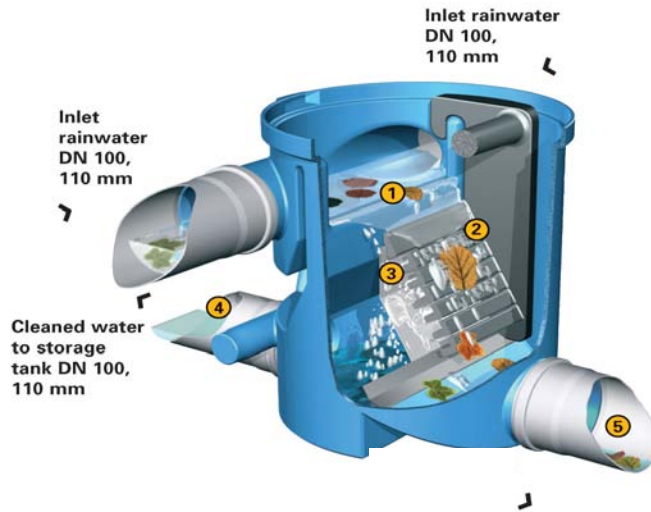
- It is made from drinking quality grade materials (polyethylene and stainless steel)
- It can filter up to 500m² of roof area
- It can be located out of sight under in the sub-floor area
- It is a closed system so that water does not splash out of the unit as it is filtered
- Rubbish is removed to storm water by the residual water that runs over the top of the filter
- It acts not only as a filter but also as the overflow mechanism for the **Waterplex®** system once the water storage is full
- It connects to standard 100mm PVC pipe

The Volume Filter provides a two step cleaning system:

1. The first stainless cascading “ladder” provides immediate coarse filtration to remove larger leaves and debris.
2. The second, finer mesh sieve (0.65mm) removes smaller debris and provides mosquito protection.



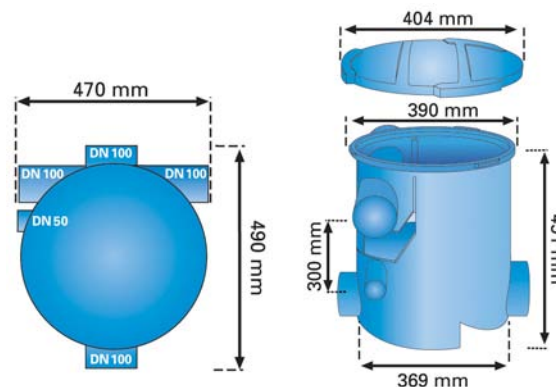
Creative rainwater storage solutions
you can count on.



The Volume Filter Process

1. Harvested rainwater and debris enters the filter from the downpipe and fills the recess to enable water to distribute evenly over the filter.
 2. Coarse debris is pushed over the stainless cascade and removed to storm water.
 3. Finer debris is then captured on the secondary filter mesh and also pushed to storm water by the residual water passing over the first coarse mesh filter.
 4. Filtered water is then directed to the **Waterplex®** storage solution
 5. Residual water and debris is washed to storm water. This also acts as the overflow for the **Waterplex®** storage solution when it full.
- The filter should be cleaned on a regular basis. The frequency of cleaning depends on the rain catchment environment.

Volume Filter Dimensions



Note that clearance of 1300mm is required to be able to remove the internal filter.